

BALDOR® • RELIANCE 

Product Information Packet

EWCM3212T

5HP,3450RPM,3PH,60HZ,182TCZ,3622M,OPSB,F

Part Detail							
Revision:	D	Status:	PRD/A	Change #:		Proprietary:	No
Type:	AC	Elec. Spec:	36WGS040	CD Diagram:	CD0005	Mfg Plant:	
Mech. Spec:	36J678	Layout:	36LYJ678	Poles:	02	Created Date:	05-28-2015
Base:	RG	Eff. Date:	04-08-2019	Leads:	9#16		

Specs			
Catalog Number:	EWCM3212T	Insulation Class:	F
Enclosure:	OPSB	Inverter Code:	Inverter Ready
Frame:	182TCZ	KVA Code:	K
Frame Material:	Steel	Lifting Lugs:	No Lifting Lugs
Output @ Frequency:	5.000 HP @ 60 HZ	Locked Bearing Indicator:	Locked Bearing
Synchronous Speed @ Frequency:	3600 RPM @ 60 HZ	Motor Lead Quantity/Wire Size:	9 @ 16 AWG
Voltage @ Frequency:	460.0 V @ 60 HZ	Motor Lead Exit:	Ko Box
	230.0 V @ 60 HZ	Motor Lead Termination:	Flying Leads
XP Class and Group:	None	Motor Type:	3622M
XP Division:	Not Applicable	Mounting Arrangement:	F1
Agency Approvals:	UR	Power Factor:	91
	CSA EEV	Product Family:	General Purpose
	CSA	Pulley End Bearing Type:	Ball
Auxillary Box:	No Auxillary Box	Pulley Face Code:	C-Face
Auxillary Box Lead Termination:	None	Pulley Shaft Indicator:	Tapped & Key
Base Indicator:	Rigid	Rodent Screen:	Included
Bearing Grease Type:	Polyrex EM (-20F +300F)	RoHS Status:	ROHS COMPLIANT
Blower:	None	Shaft Extension Location:	Pulley End

Current @ Voltage:	12.000 A @ 230.0 V	Shaft Ground Indicator:	No Shaft Grounding
	12.800 A @ 208.0 V	Shaft Rotation:	Reversible
	6.000 A @ 460.0 V	Shaft Slinger Indicator:	Shaft Slinger
Design Code:	A	Speed Code:	Single Speed
Drip Cover:	No Drip Cover	Motor Standards:	NEMA
Duty Rating:	CONT	Starting Method:	Direct on line
Electrically Isolated Bearing:	Not Electrically Isolated	Thermal Device - Bearing:	None
Feedback Device:	NO FEEDBACK	Thermal Device - Winding:	None
Front Face Code:	Standard	Vibration Sensor Indicator:	No Vibration Sensor
Front Shaft Indicator:	None	Winding Thermal 1:	None
Heater Indicator:	No Heater	Winding Thermal 2:	None

Nameplate NP1259L										
CAT.NO.	EWCM3212T									
SPEC.	36J678S040G1									
HP	5									
VOLTS	230/460									
AMP	12/6									
RPM	3450									
FRAME	182TCZ					HZ	60		PH	3
SER.F.	1.15			CODE	K	DES	A		CL	F
NEMA-NOM-EFF	86.5			PF	91					
RATING	40C AMB-CONT									
CC	010A					USABLE AT 208V	12.8			
DE	6207				ODE	6205				
ENCL	OPSB			SN						

Parts List		
Part Number	Description	Quantity
SA302308	SA 36J678S040G1	1.000 EA
RA289402	RA 36J678S040G1	1.000 EA
36CB3004	36 CB CASTING W/1.09 DIA LEAD HOLE @ 6:0	1.000 EA
51XB1016A08	10-16X 1/2HXWSSLD SERTYB	2.000 EA
11XW1032G06	10-32 X .38, TAPTITE II, HEX WSHR SLTD U	1.000 EA
36EP3204D00	MASTER ODE,205 BRG,GRSR,RLF	1.000 EA
HA1103A08	RODENT SCREEN, 36 FRAME, OPEN, FRONT END	1.000 EA
51XW1032A06	10-32 X .38, TAPTITE II, HEX WSHR SLTD S	2.000 EA
HW1000A10	#10 FLAT WASHER (SAE)	2.000 EA
HW4500A01	1641B(ALEMITE)400 UNIV, GREASE FITT	1.000 EA
HW4500A17	317400 ALEMITE GREASE RELIEF	1.000 EA
HW5100A05	WVY WSHR F/205 & 304 BRGS	1.000 EA
36EP1206A20	PU ENDPLATE, MACH W/SCREENS - GREASER &	1.000 EA
HA1102A09	RODENT SCREEN 36 OPEN FAC	2.000 EA
51XW1032A06	10-32 X .38, TAPTITE II, HEX WSHR SLTD S	4.000 EA
HW1000A10	#10 FLAT WASHER (SAE)	4.000 EA
HW4500A01	1641B(ALEMITE)400 UNIV, GREASE FITT	1.000 EA
HW4500A17	317400 ALEMITE GREASE RELIEF	1.000 EA
10XN2520A26	1/4-20X 1 5/8 HEX HD	4.000 EA
HW1001A25	LOCKWASHER 1/4, ZINC PLT .493 OD, .255 I	4.000 EA
36CB4516	36 LIPPED CB LID - GALVANNEAL	1.000 EA
51XW0832A07	8-32 X .44, TAPTITE II, HEX WSHR SLTD SE	4.000 EA
HA2009A01	36-4613 SL ANOD. ALUM (STER	1.000 EA
80XN1032A06	10-32 X 3/8 SET SC HEX SOCK	1.000 EA

Parts List (continued)		
Part Number	Description	Quantity
HW2501D20	KEY, 3/16 SQ X 2.250	1.000 EA
HA7000A01	KEY RETAINER 7/8" DIA SHAFT	1.000 EA
85XU0407S04	4X1/4 U DRIVE PIN STAINLESS	2.000 EA
MJ1000A02	GREASE, MOBIL POLYREX EM - 124047	0.050 LB
MG1000Y03	MUNSELL 2.53Y 6.70/ 4.60, GLOSS 20,	0.022 GA
36AD2004A01	BAFFLE PLATE,MOD 36-SLTD BAND MTRS DELTA	2.000 EA
HA3101A23	THRUBOLT 1/4-20 X 9.625 DEMBY	4.000 EA
LC0005E01	CONN.DIA./WARNING LABEL (LC0005/LB1119N)	1.000 EA
NP1259L	ALUM SUPER-E UL CSA-EEV CC NEMA PREMIUM	1.000 EA
G0PA1000	PKG GRP, PRINT PK1026A06	1.000 EA
PK3085X	FOAM SHAFT SUPPORT PRECUT 4-1/4 X 6-3/4	1.000 EA
MN416A01	TAG-INSTAL-MAINT no wire (1200/bx) 3/19	1.000 EA
FE-0000001	ZRTG FE ASSEMBLY	1.000 EA

AC Induction Motor Performance Data

Record # 53354 - Typical performance - not guaranteed values

Winding: 36WGS040-R014	Type: 3622M	Enclosure: OPSB
-------------------------------	--------------------	------------------------

Nameplate Data				460 V, 60 Hz: High Voltage Connection	
Rated Output (HP)	5			Full Load Torque	7.66 LB-FT
Volts	230/460			Start Configuration	direct on line
Full Load Amps	12/6			Breakdown Torque	29.99 LB-FT
R.P.M.	3450			Pull-up Torque	17.89 LB-FT
Hz	60	Phase	3	Locked-rotor Torque	22.24 LB-FT
NEMA Design Code	A	KVA Code	K	Starting Current	49.63 A
Service Factor (S.F.)	1.15			No-load Current	1.99 A
NEMA Nom. Eff.	86.5	Power Factor	91	Line-line Res. @ 25°C	3.07 Ω
Rating - Duty	40C AMB-CONT			Temp. Rise @ Rated Load	34°C
S.F. Amps				Temp. Rise @ S.F. Load	42°C
				Locked-rotor Power Factor	49.2
				Rotor inertia	0.0988 LB-FT ²

Load Characteristics 460 V, 60 Hz, 5 HP

% of Rated Load	25	50	75	100	125	150	S.F.
Power Factor	61	79	87	90	92	93	92
Efficiency	81.4	86.5	87.6	86.6	85.3	83.5	86.1
Speed	3566	3535	3503	3465	3423	3379	3445
Line amperes	2.5	3.49	4.68	6.06	7.56	9.15	6.91

Performance Graph at 460V, 60Hz, 5.0HP Typical performance - Not guaranteed values

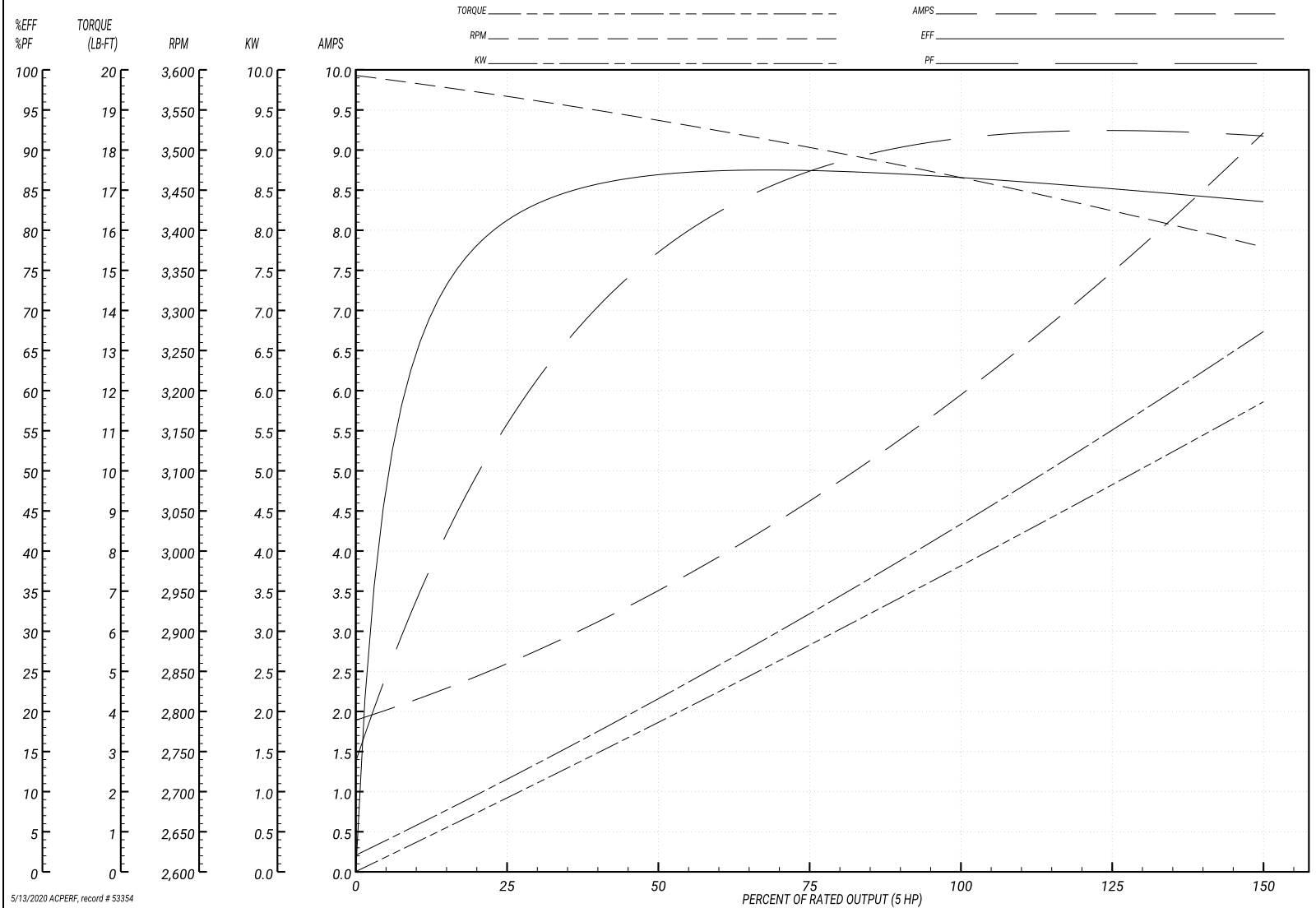
ABB Motors and Mechanical Inc.

WINDING # 36WGS040

Typical performance - not guaranteed values.

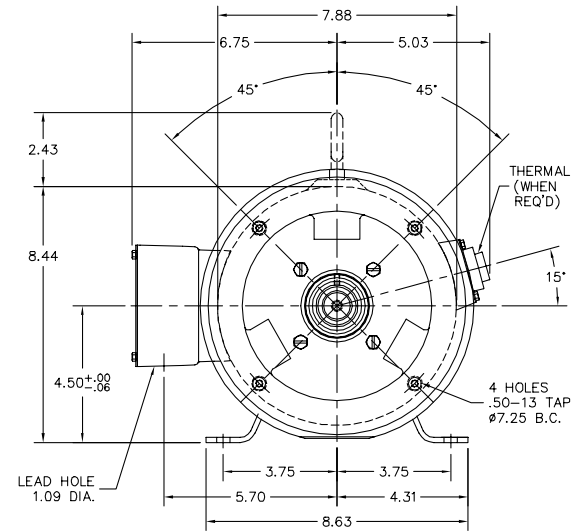
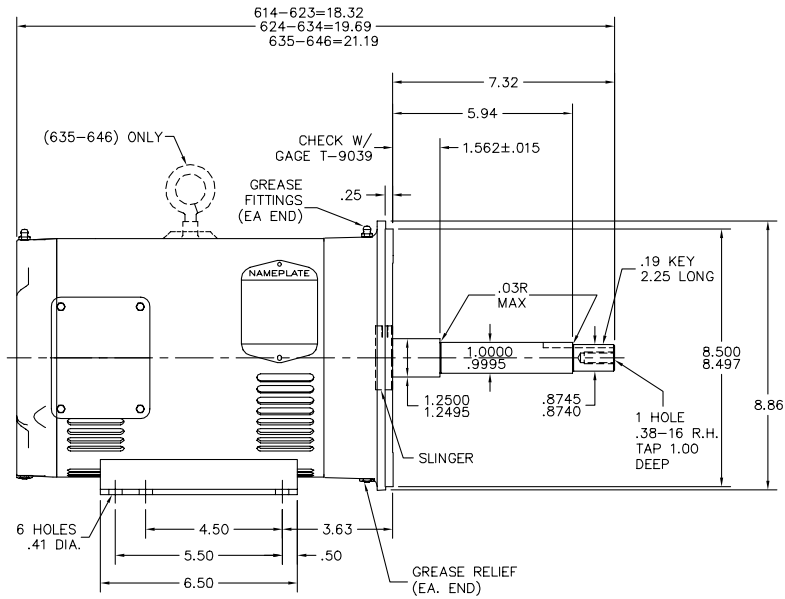
5 HP 3 PH 60 HZ 3450 RPM 460 V 3622M

TORQUES(LB-FT): PO=29.99 PU=17.89 LR=22.24 LRA=49.63



5/13/2020 ACPERF, record # 53354

36LYJ678



36LYJ678

CUSTOMER IS RESPONSIBLE FOR DETERMINING THAT BALDOR'S PRODUCT WILL PERFORM SUITABLY IN THE INTENDED APPLICATION.

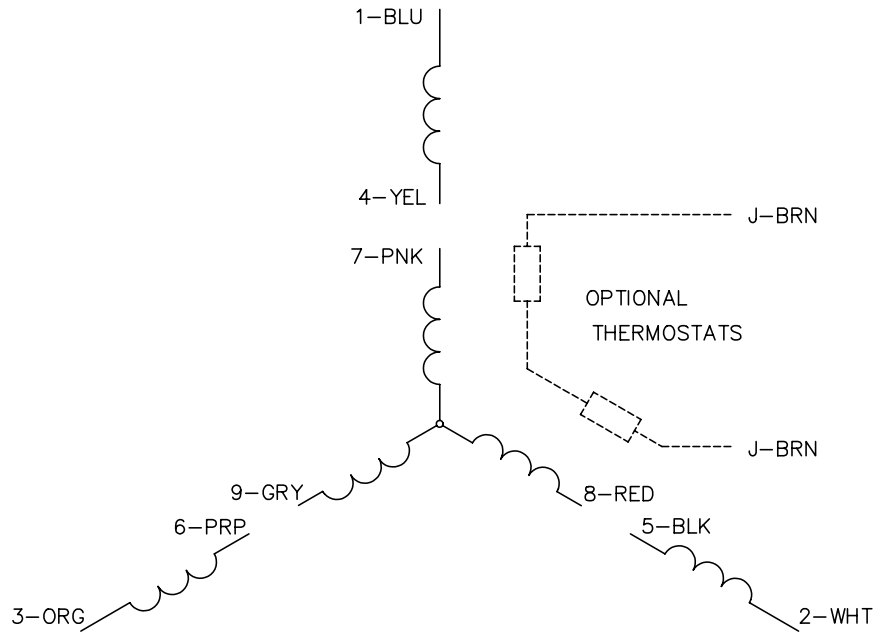
REV. DESC: CHANGE FREP: WAS 36EP3200A25 NOW 36EP3204D00	VERSION: 01	TDR: 000001105395
REV. LTR: A	REVISED: 12:41:36 04/10/2019	BY: FGCHAH1
FILE: \AAA\00075\615		
MTL: -		

BALDOR - RELIANCE®

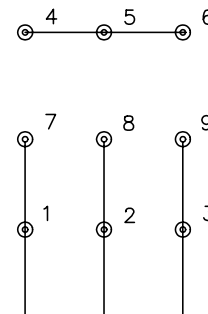
HOR 182-4TCZ OPSB M W/SCREENS (WEST COAST PUMP)

SH 1 of 1

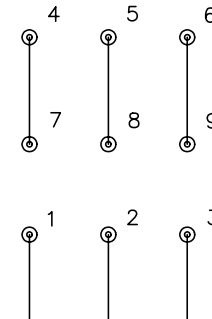
CD0005



LOW VOLTAGE
(2Y)



HIGH VOLTAGE
(1Y)



NOTES:

1. INTERCHANGE ANY TWO LINE LEADS TO REVERSE ROTATION.
2. OPTIONAL THERMOSTATS ARE PROVIDED WHEN SPECIFIED.
3. ACTUAL NUMBER OF INTERNAL PARALLEL CIRCUITS MAY BE A MULTIPLE OF THOSE SHOWN ABOVE.
4. LEAD COLORS ARE OPTIONAL. LEADS MUST ALWAYS BE NUMBERED AS SHOWN.

REV. DESC: REVISE TO SHOW OPTIONAL COLORS			
REV. LTR: E	BY: JLP	REVISED: 01/19/99 10:15	TDR: 0171435
900000		FILE: AAA00005140	MDL: -
		MTL: -	

BALDOR ELECTRIC Co.

3PH, DV, 9 LEADS

CD0005